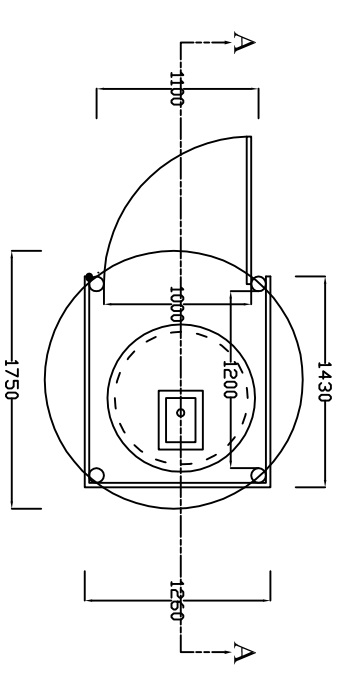


SECTION A-A



PLAN

All dimensions are in mm.

TYPE DESIGN		SUITABLE FOR	
Type	:- Direct Pit Latrine	Department of Water Supply & Sewerage Environmental Sanitary and Disaster Management Section Panipokhari, Kathmandu	
Pit	:- Bamboo lining		
Above PL	:- Temporary Superstructure		
		DRW. NO.	1