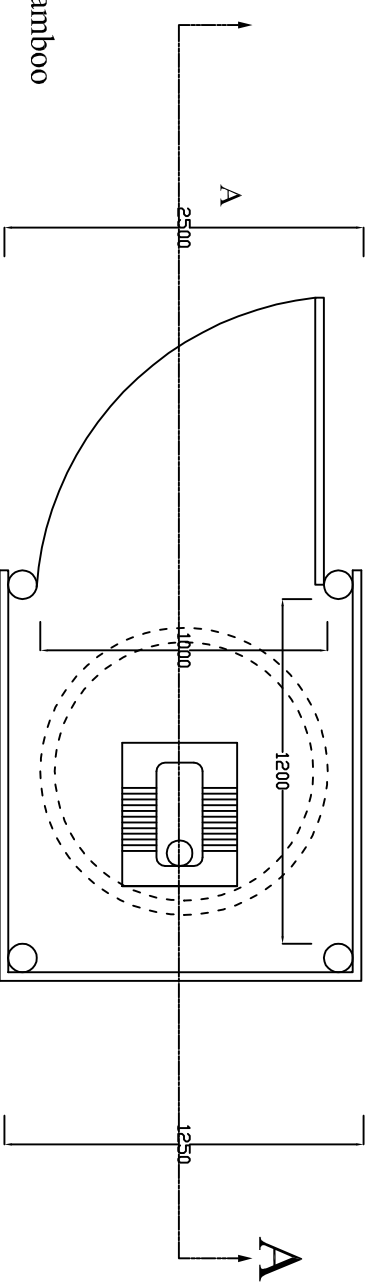
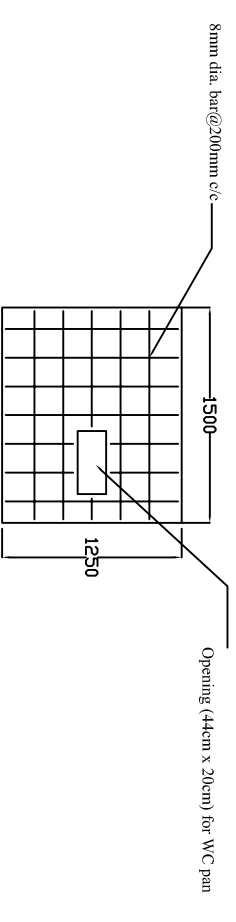


## SECTION A-A



## PLAN



### RCC SLAB DETAIL

All dimensions are in mm.

TYPE DESIGN		SUITABLE FOR		Department of Water Supply & Sewerage, Environmental Sanitation and Disaster Management Section Panipokhari, Kathmandu	
Type	- Water seal Direct Pit (Built up) Latrine	Flood prone/rocky/ water logged areas		DRW. NO. 3/Type D	
Pit	- RCC Ring lining				
Above PL :- Temporary Superstructure					