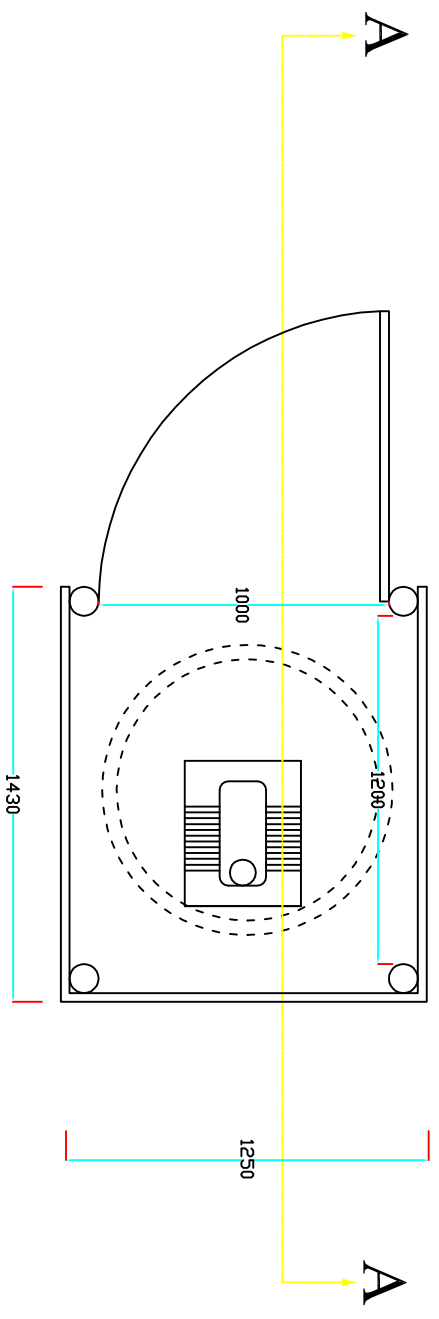
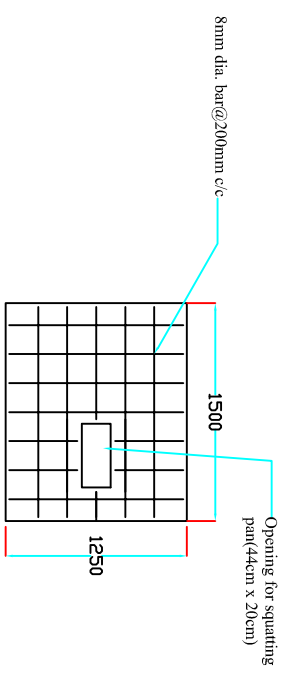


## SECTION A-A



## PLAN



## RCC SLAB DETAIL

All dimensions are in mm.

<b>TYPE DESIGN</b>		<b>SUITABLE FOR</b>	
Type	-: Water seal Direct Pit Latrine	Rural (terai)	
Pit	-: RCC Ring lining	Department of Water Supply & Sewerage Environmental Sanitation and Disaster Management Section Panipokhari, Kathmandu	
Above PL	-: Temporary Superstructure	DRW. NO. 3/Type A	