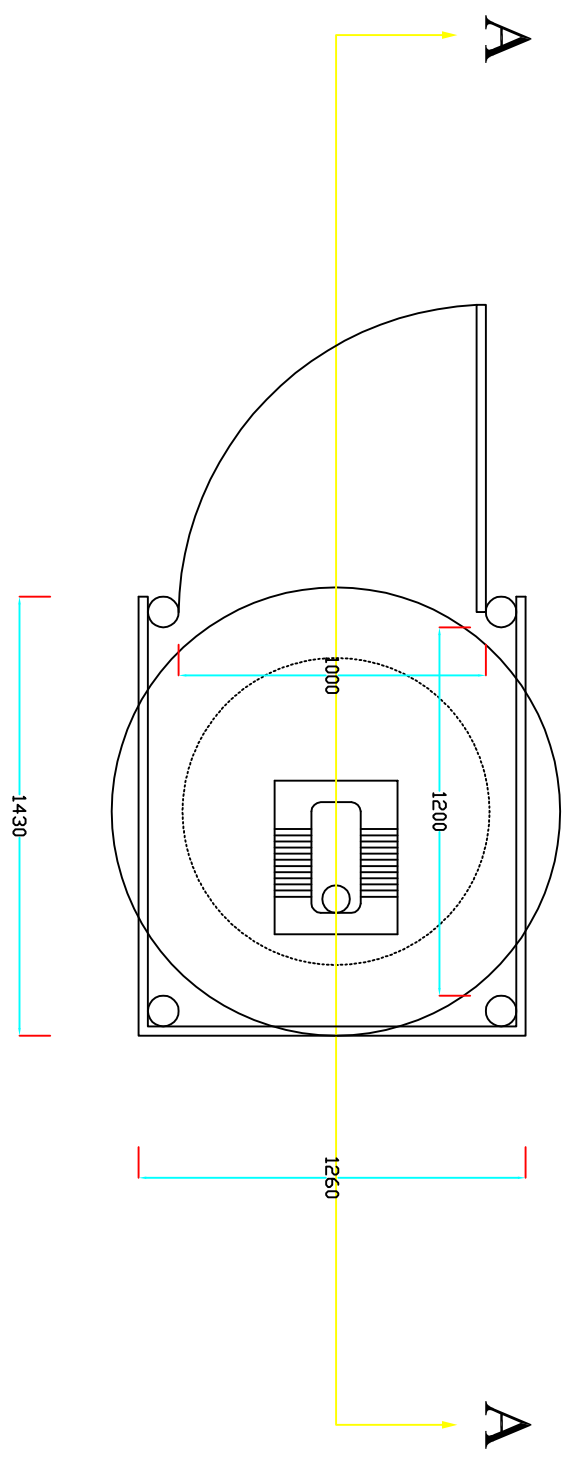
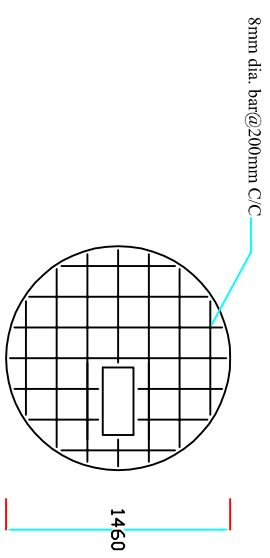


SECTION A-A



PLAN



RCC SLAB COVER DETAIL

All dimensions are in mm.

TYPE DESIGN		SUITABLE FOR	
Type	-: Water seal Direct Pit Latrine	Rural (terai)	
Pit	-: Dry brick lining	Department of Water Supply & Sewerage Environmental Sanitation and Disaster Management Section Panipokhari, Kathmandu	
Above Pl. -: Temporary Superstructure		DRW. NO.	3/Type B