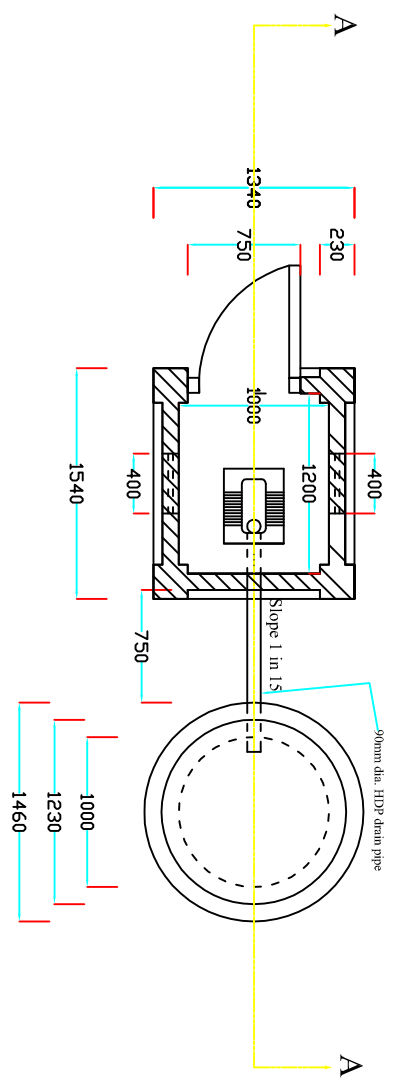
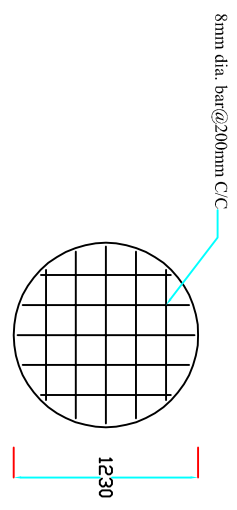


SECTION A-A

RCC COVER SLAB DETAILS



PLAN

Note: The offset distance can be minimized according to site condition.

All dimensions are in mm.

TYPE DESIGN		SUITABLE FOR	
Type	:- Water seal Offset type Single Pit Latrine	Rural/Semi urban (Terai)	
Pit	:- Dry brick lining	Department of Water Supply & Sewerage Environmental Sanitation and Disaster Management Section Panipokhari, Kathmandu	
Below PL	:- Brick masonry	DRW. NO. 4/Type F	
Above PL	:- Brick masonry		