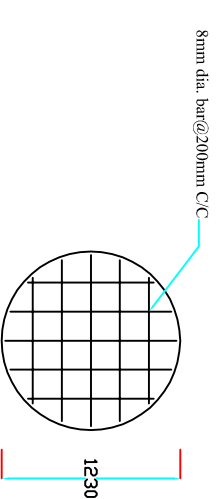
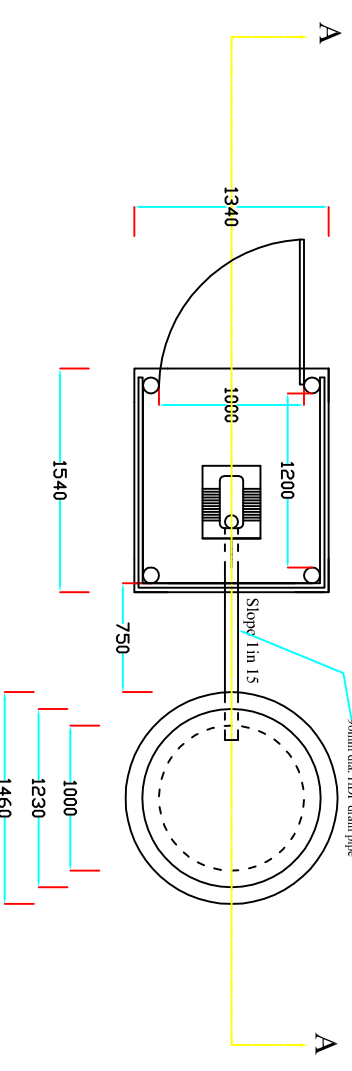


SECTION A-A



RCC COVER SLAB DETAILS



PLAN

Note: The offset distance can be minimized according to site condition.

All dimensions are in mm.

TYPE DESIGN		SUITABLE FOR	
Type	-: Water seal Offset Type Single Pit Latrine	Rural/Semi urban (terai)	
Pit	-: Dry brick lining	Department of Water Supply & Sewerage Environmental Sanitation and Disaster Management Section Panipokhari, Kathmandu	
Below PL	-: Brick masonry	DRW. NO.	
Above PL	-: Temporary Superstructure	4/Type E	