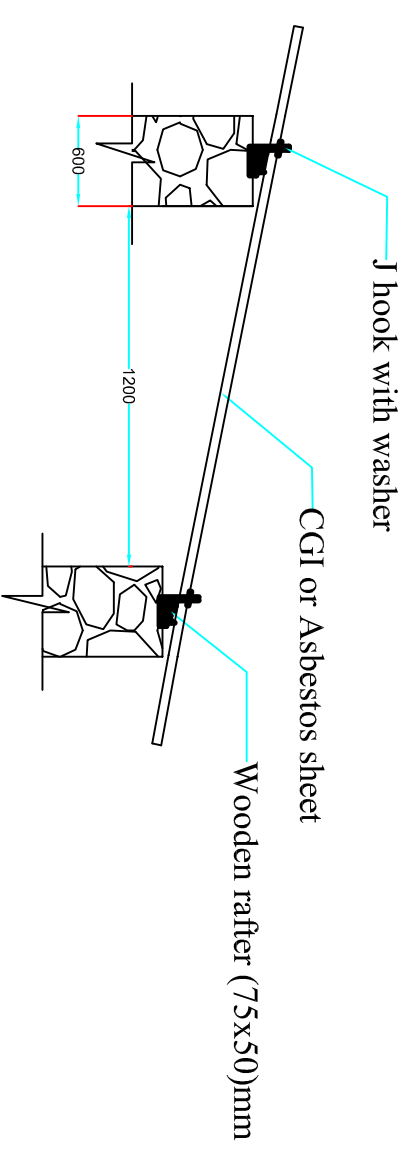
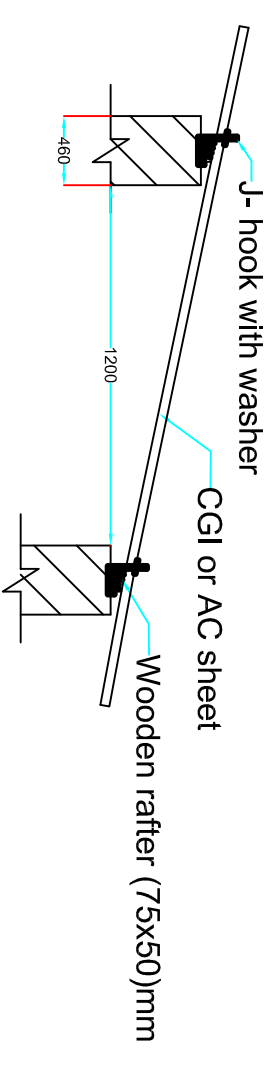


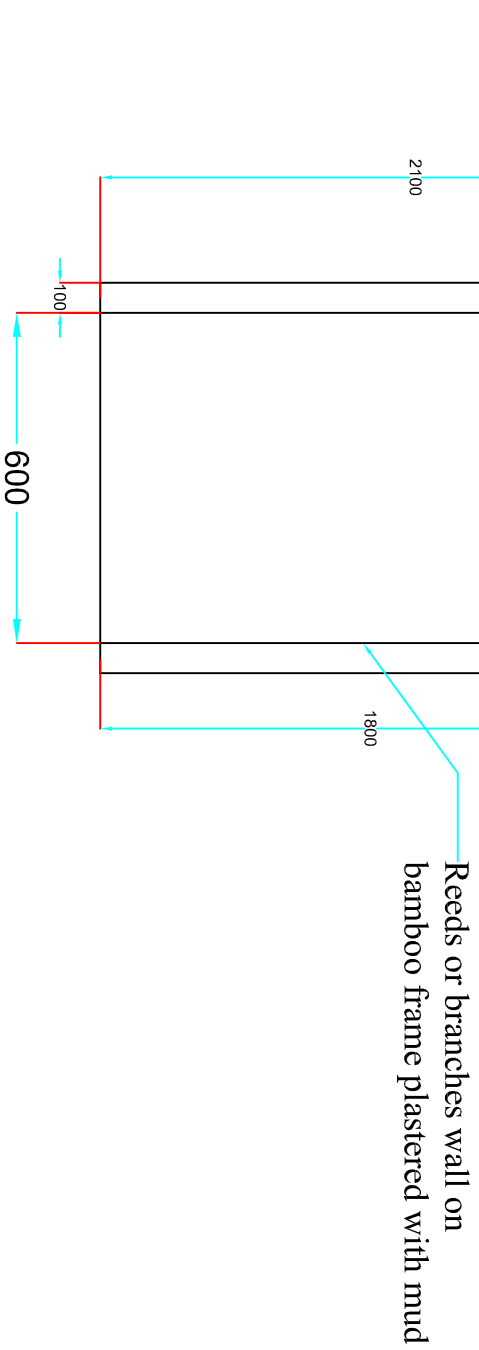
TEMPORARY ROOFING DETAILS



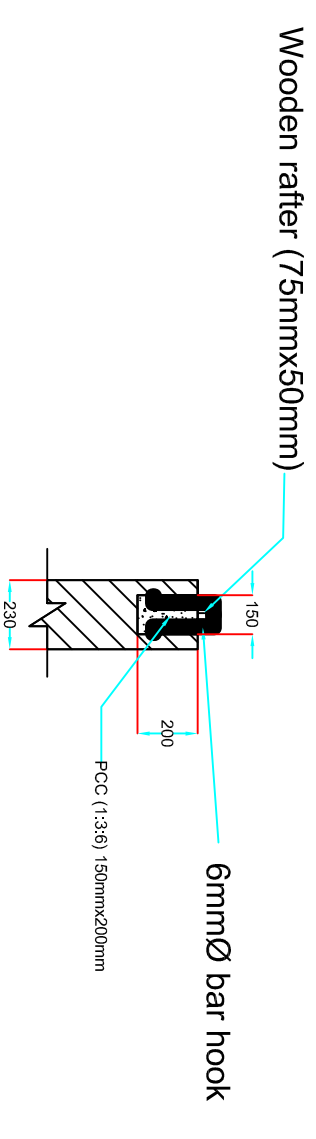
PERMANENT ROOFING (STONE) DETAILS



PERMANENT ROOFING DETAILS (BRICK) DETAILS



BAMBOO FRAME DETAILS



FIXING OF RAFTER DETAIL

All dimensions are in mm.

DETAILED DRAWING OF ROOFING

SUITABLE FOR

Department of Water Supply & Sewerage Environmental
Sanitation and Disaster Management Section
Panipokhari, Kathmandu

DRW. NO.

14