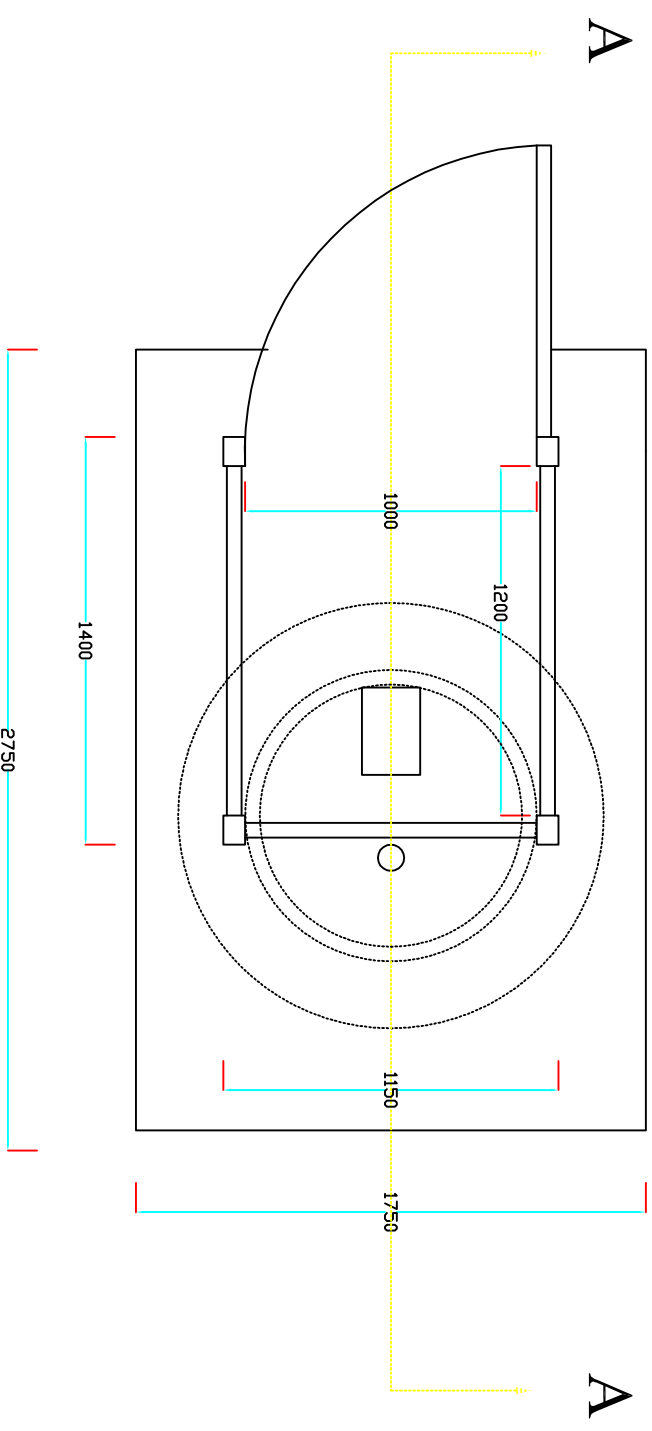


SECTION A-A



PLAN

All dimensions are in mm.

TYPE DESIGN		SUITABLE FOR	
Type	-: VIP Latrine	Rural (terai)	
Pit	-:RCC ring lining	Department of Water Supply & Sewerage Environmental Sanitation and Disaster Management Section Panipokhari, Kathmandu	
Above Pl :- Temporary Superstructure		DRW. NO. 2/Type B	